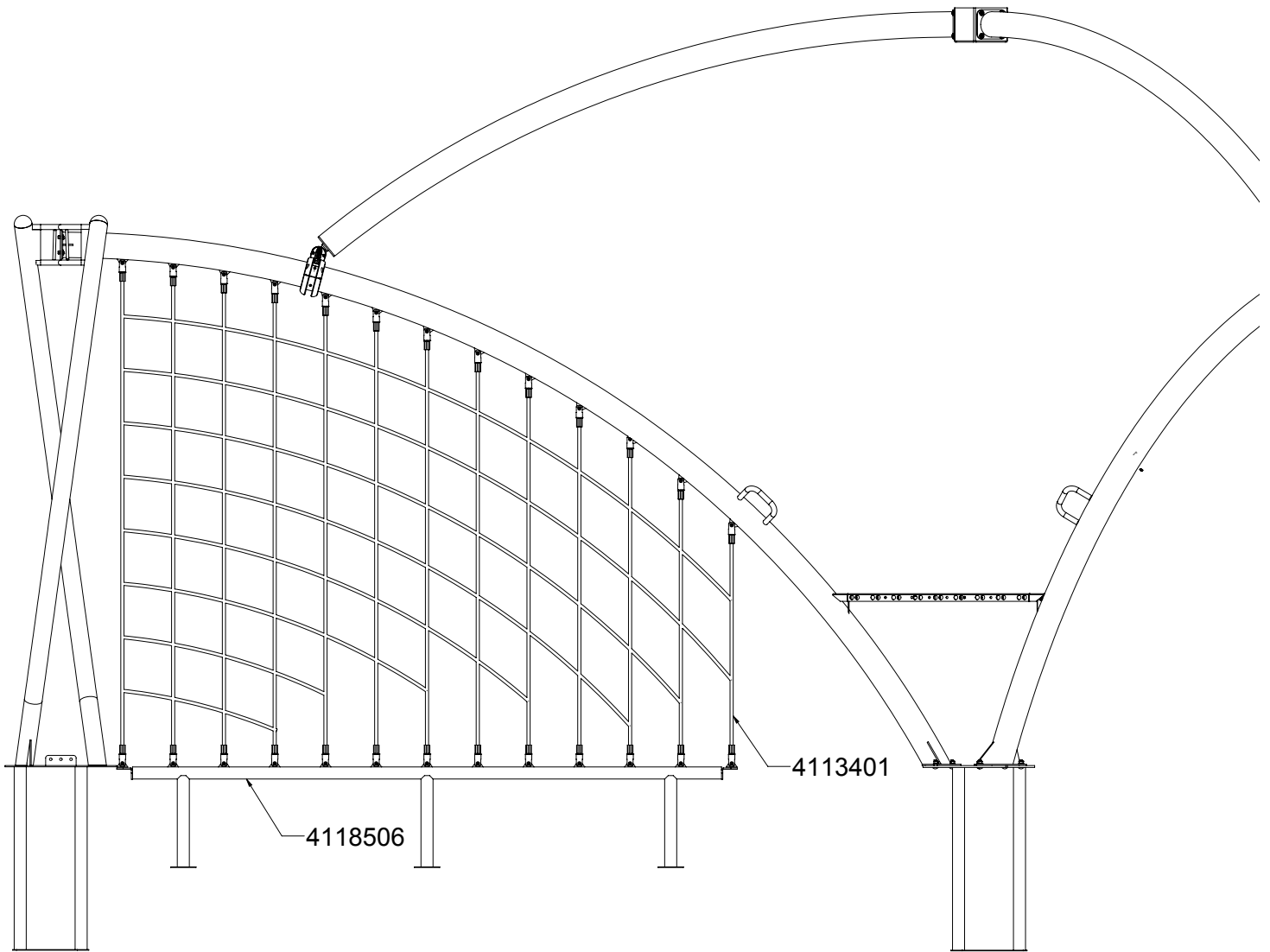


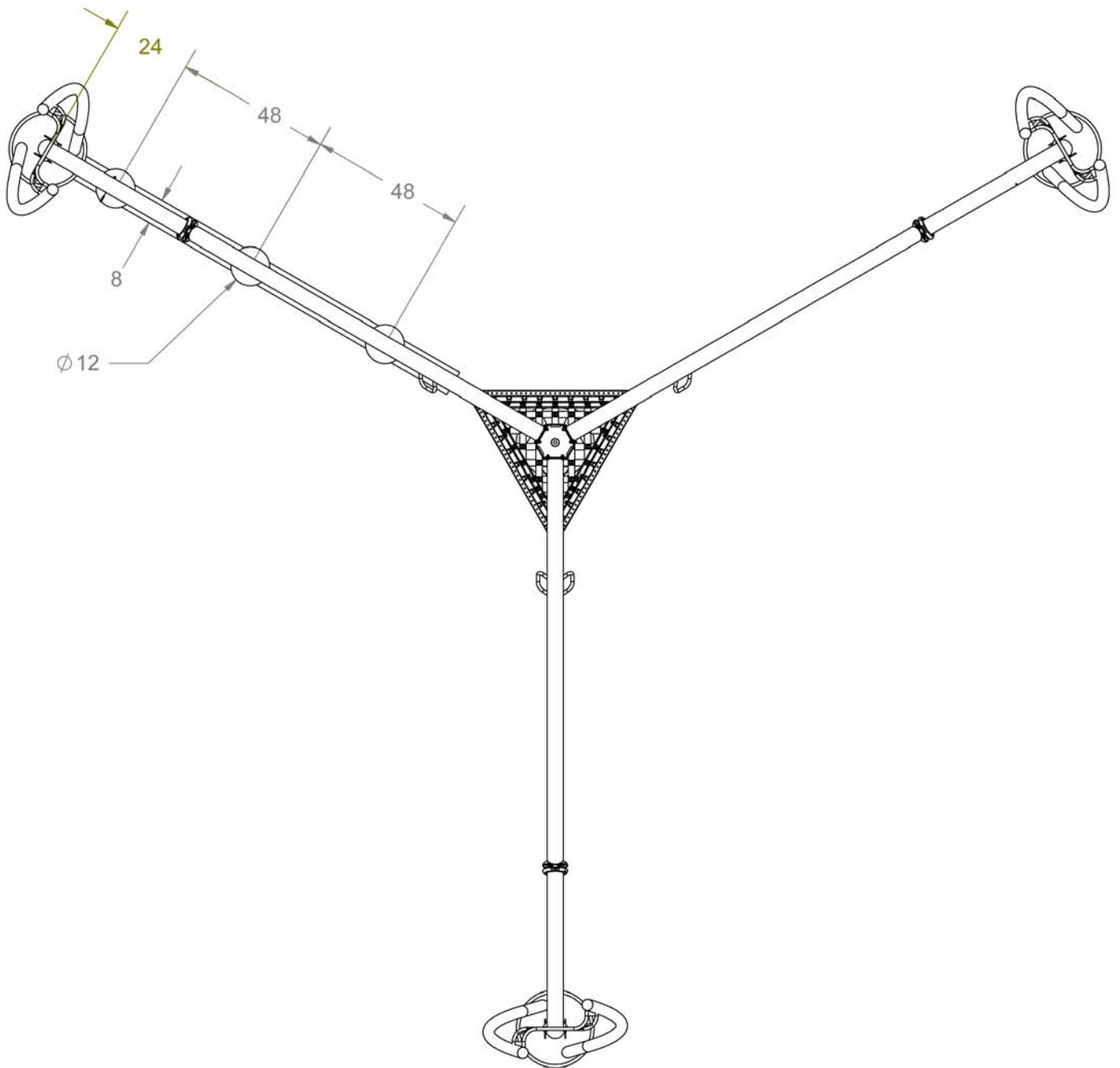
Cargo Net Install Instructions



Xccent Play - www.xccentplay.com
5240 257th St, Wyoming, MN 55092
(800) 933-4748 Fax: (651) 462-9299

Cargo Net Assembly

Step 1

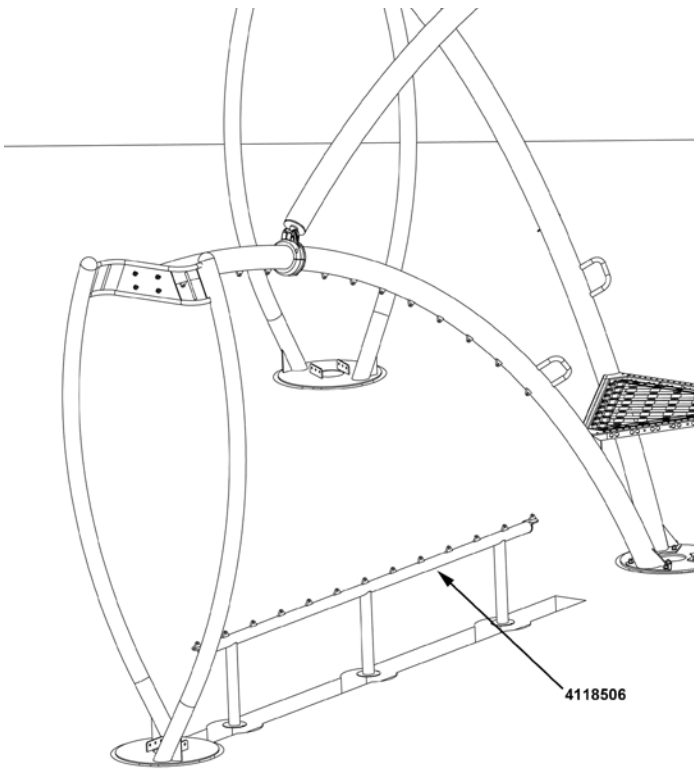


Layout cargo net footing holes beneath arch tube for net mount according to diagram. Drill three $\varnothing 12$ " x 18" deep holes for concrete footings

Cargo Net Assembly

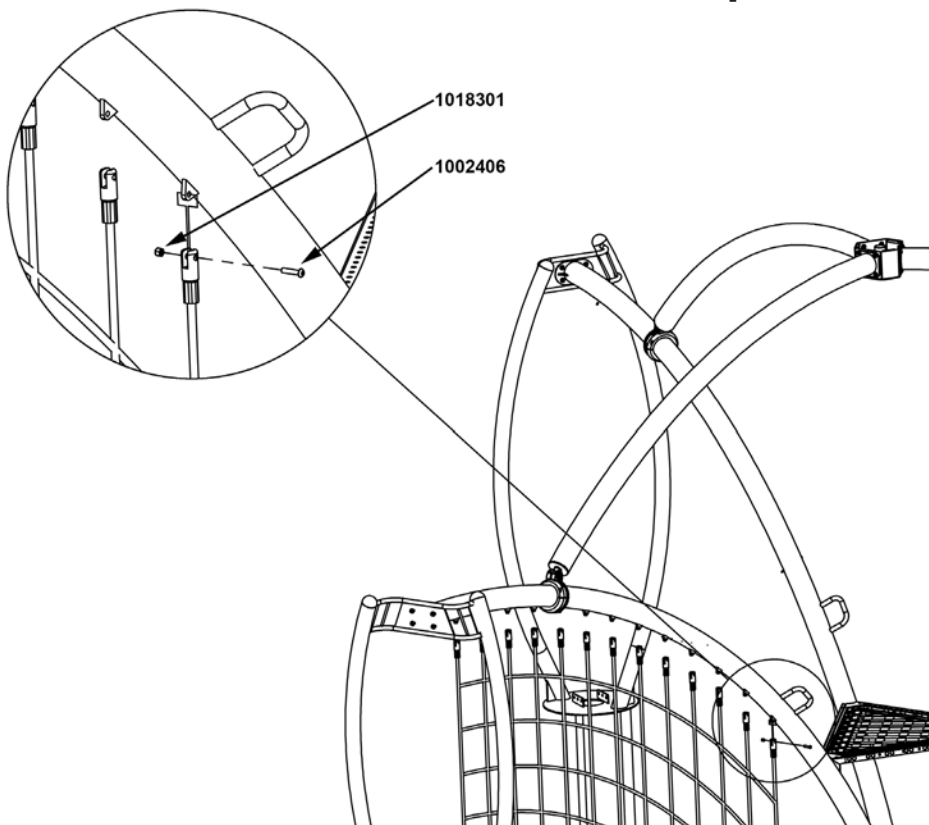
Step 2

Place net mount (4118506) in holes.



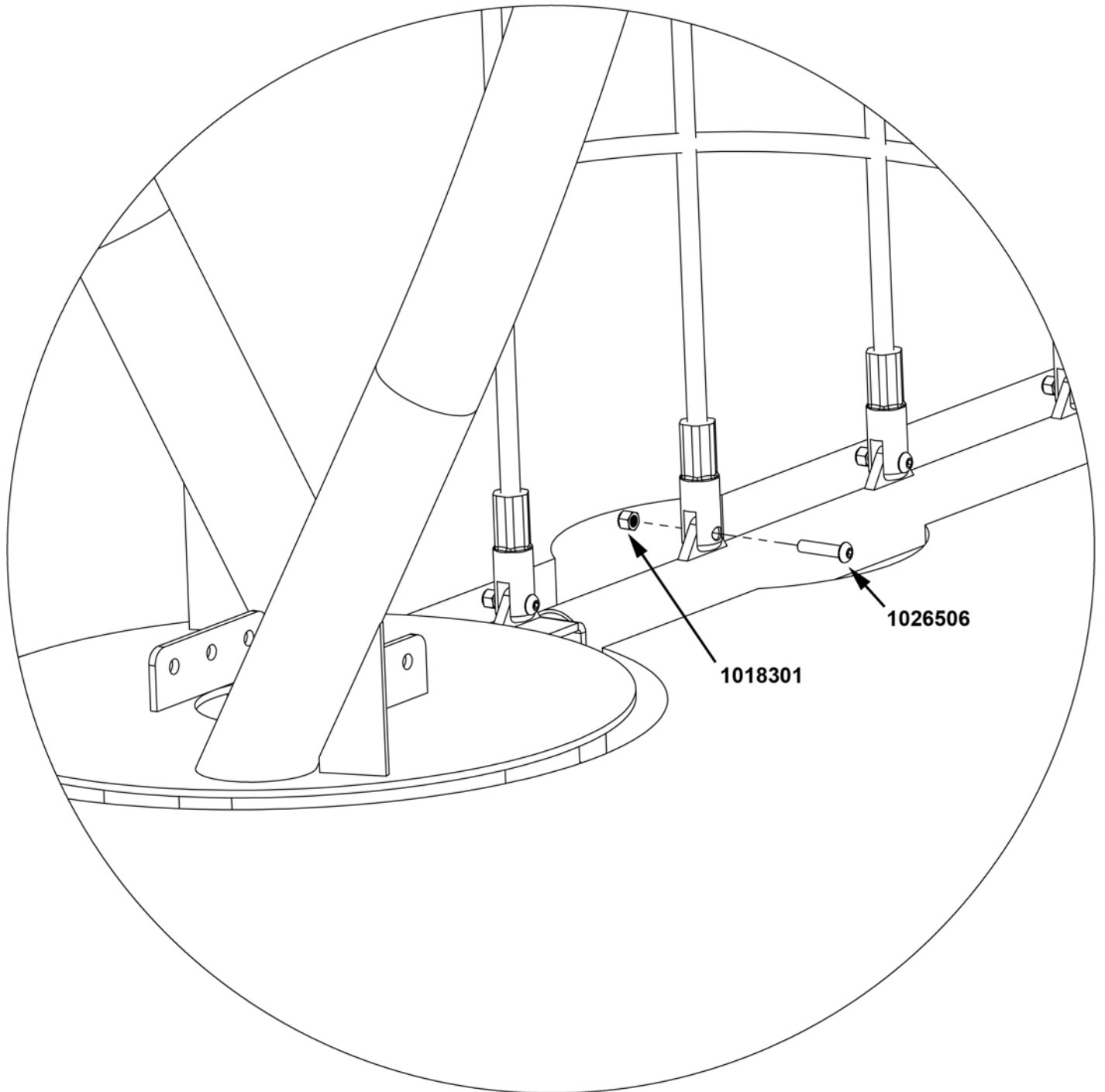
Step 3

Bolt net (4113401) to tabs on main tube using one 3/8"-16 x 1.75" BHCS (1002406) and 3/8" lock nut (1018301) per tab. **Note:** Orientation of the net. The horizontal ropes should follow the arch of the Fusion main tube.



Cargo Net Assembly

Step 4



Bolt net (4113401) to tabs on net mount using one 3/8"-16 x 1.75" BHCS (1002406) and 3/8" lock nut (1018301) per tab.

The net should be pulled tight by the weight of the mount hanging on it. If it is not, a channel may need to be dug for the mount to hang in.

Fill holes with concrete and allow to fully cure before putting equipment into service.

Not: Do not pour concrete over bolts connecting net to mount. Net must be removable for repair or replacement.